

GRACE VYCOR® PLUS

Self-adhered flashing

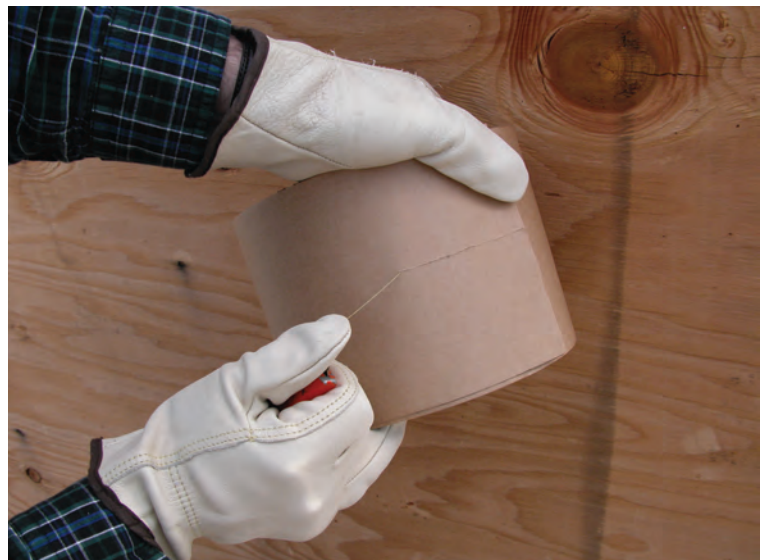
Moisture Control is the First Step to Mold Control

Water from both exterior and interior sources is among the worst enemies of building structures. When water enters the wall system and remains there for a long time, it creates a favorable environment for the development of rot, mold and mildew. Proper waterproofing and flashing practices are necessary to ensure high quality, long-lasting construction.

Repairs of rot and mold are major concerns for homebuilders, contractors, architects, and homeowners. Not only are such repairs difficult, but they are also extremely costly. Window and door openings, deck-to-wall intersections, foundation sill plates, corners, and other penetration areas are the most common water entry points. A self-adhered flashing membrane, properly integrated with the other elements of the building structure, creates a barrier to water entry and a drainage plane for water to drain out of the wall.

Grace Vycor® Plus, a high performance self-adhered flashing membrane, provides premium protection against water infiltration in all critical non-roof detail areas, that traditional building papers, felts and housewraps cannot match. When properly installed, it can reduce the risk of rot and mold development, often associated with costly call-backs.

ICBO APPROVED!



Product Advantages

- Available with Ripcord® split release on demand
- Easier and faster to install correctly
- Improved product performance
- Proper integration with housewrap/ other weather-resistive barriers
- Reduces the risk of rot and mold development

Product Description

Grace Vycor Plus self-adhered flashing is composed of durable, cross-laminated, high-density polyethylene sheet, backed by an aggressive, pressure-sensitive rubberized asphalt adhesive.

Grace Vycor Plus is available in a range of widths: 4 in. (100 mm), 6 in. (150 mm), 9 in. (225 mm), 12 in. (300 mm) and 18 in. (450 mm) to accommodate a variety of job requirements.

Ripcord is available in 6 in. (150 mm), 9 in. (225 mm) and 12 in. (300 mm) wide membranes.

Features & Benefits

Ripcord—With the sophistication of construction practices it becomes a must to follow the proper sequencing principles. Ripcord offers the flexibility to install half the membrane before and the other half after the other building envelope components are installed, i.e. housewrap or felt. Only in this way are the proper installation principles followed.

Easy to work with—Membrane installation is fast and easy—simply remove the release paper and press onto the substrate. With Grace Vycor Plus contractors can flash more windows with better quality.

Superior adhesion capabilities—

The membrane creates a strong bond to the substrate for long-lasting waterproofing protection.

Seals around fasteners—The specially formulated rubberized asphalt adhesive seals around fasteners, allowing no water to penetrate and get to the substrate.

Forms water-tight laps—Grace Vycor Plus' superior adhesion properties ensure strong laps, even in seams in the flashing.

Measurement markings—The membrane surface is clearly marked at every 6 in. (150 mm) and 12 in. (300 mm) intervals to facilitate the installation procedure.

Highly conformable and flexible—

Can accommodate settlement and shrinkage movement.

Proven track record—Grace Vycor Plus employs the same proven technology as our Grace Ice & Water Shield®—the market leader in self-adhered underlayments for over 30 years.

Long-lasting waterproofing protection—

Both the polyethylene film and the specially-formulated rubberized asphalt components create a water and moisture barrier that does not degrade from the effects of the environment.

Usage

Grace Vycor Plus is a unique solution, appropriate for working around a number of detail areas, including, but not limited to:

- Window and door openings (headers, sills, jambs, thresholds, nailing flanges)
- Deck-to-wall intersections
- Corner boards
- Wall-to-wall tie-ins
- Foundation sill plates
- Sheathing panel seams
- Under stucco finishes
- Masonry walls
- Other non-roof detail areas

Application Instructions

Surface Preparation

Apply Grace Vycor Plus in fair weather when the air, surface and membrane are at temperatures of 25°F (-4°C) or higher. After precipitation, allow a minimum of 24 hours for drying before installing the flashing.

Install directly onto a clean and dry surface. Some compatible substrates include wood, plywood, oriented strand board, metal, concrete and masonry. Remove dust, dirt, and loose nails. Protrusions must be removed. Surfaces shall have no voids, damaged, or unsupported areas. Repair surfaces before installing the membrane.

Product Data

Property	Grace Vycor Plus				
Product thickness	25 mil (0.64 mm)				
Carrier film	Cross-laminated HDPE				
Adhesive	Rubberized asphalt				
Release liner	Paper				
Color	Black-Gray				
Recommended exposure limit	30 Days				
Roll width(s)	4 in. (100 mm)	6 in. (150 mm)	9 in. (225 mm)	12 in. (300 mm)	18 in. (450 mm)
Roll length(s)	75 ft (22.9 m)	75 ft (22.9 m)	75 ft (22.9 m)	75 ft (22.9 m)	75 ft (22.9 m)
Rolls per carton	18	12	6	6	2
Shipping weight	74 lbs (33 kg)	74 lbs (33 kg)	56 lbs (25 kg)	74 lbs (33 kg)	36 lbs (16 kg)
Cartons per pallet	30	30	30	30	35

Priming is generally not required for most substrates provided they are clean and dry. However, on concrete, masonry and DensGlass Gold®, apply Perm-A-Barrier® WB Primer. If adhesion is found to be marginal, prime wood composition and gypsum sheathing also with Perm-A-Barrier WB Primer. The coverage rate for Perm-A-Barrier WB Primer is 250–350 ft²/gal (6–8 m²/L). Allow primer to dry completely, approximately 1 hour depending on weather conditions, before application of flashing.

Membrane Installation

Using the 6 in. (150 mm) and 12 in. (300 mm) measurement markings, cut the membrane to the desired length. Peel back the release paper to expose the adhesive. Align the membrane and press into place with heavy hand pressure.

Laps must be a minimum of 3 in. (75 mm). Mechanically fasten the membrane at all vertical terminations. Use only smooth shank fasteners.

Consistent with good construction practice, install the membrane such that all laps shed water (following the shingle principle). The top membrane layer should go over the bottom layer. Always work from the low point to the high point. When needed, use Ripcord to split the release paper and adhere half of the membrane, while leaving the other half with the paper on. This is required when flashing a window sill before the house-wrap/weather resistive barrier is installed.

Precautions & Limitations

Grace Vycor Plus is designed for critical NON-ROOF flashing details. The membrane is slippery—DO NOT install on the roof; DO NOT walk on the membrane.

Do not leave the product permanently exposed to sunlight. Maximum recommended exposure time is 30 days. Due to its slight asphaltic odor, apply this product where the membrane is not exposed to interior living space. Grace Vycor Plus should not be used in hot desert areas in the southwestern United States.

Grace Vycor Plus is not compatible with flexible PVC. Contact window manufacturer for specific application instructions required when using a bituminous-based flashing. Certain metal window applications with integral nail fin may have specific limitations. Some solvents in certain caulking may be incompatible with the adhesive in Grace Vycor Plus.

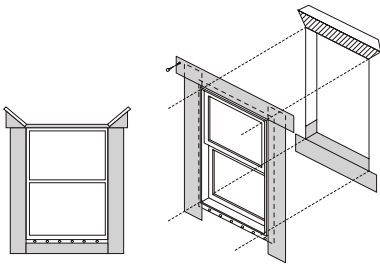
For more information, check with your local Grace representative.

Approvals

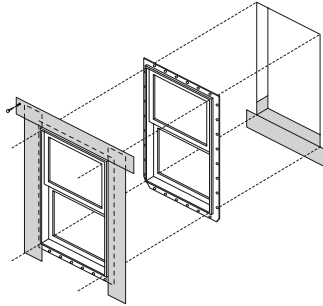
ICBO approved as a Flashing Material (Report ER-6141).

Key Details for Grace Vycor Plus

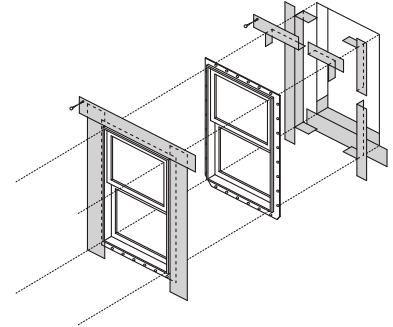
For most recent and additional details, consult our web site at www.graceconstruction.com



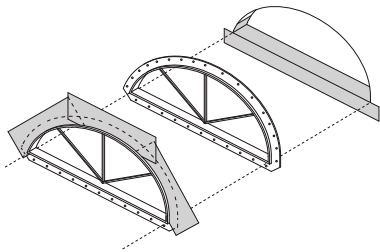
Flanged Window
Flashing Installation AFTER
Weather-Resistive Barrier



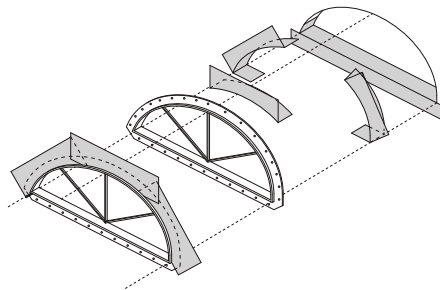
Flanged Window
Flashing Installation BEFORE
Weather-Resistive Barrier
Option 1 – Low Exposure



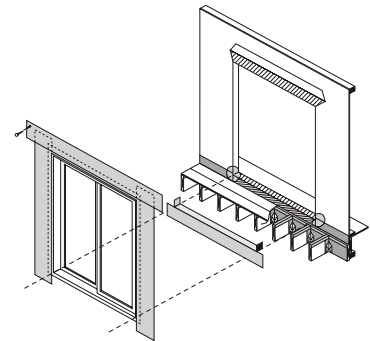
Flanged Window
Flashing Installation BEFORE
Weather-Resistive Barrier
Option 3 – Severe Exposure



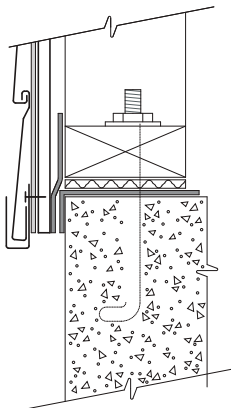
Half Round Window
Option 1 – Low to Moderate
Exposure



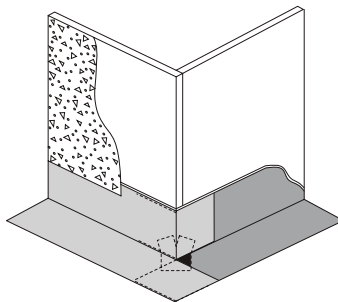
Half Round Window
Option 2 – Severe Exposure



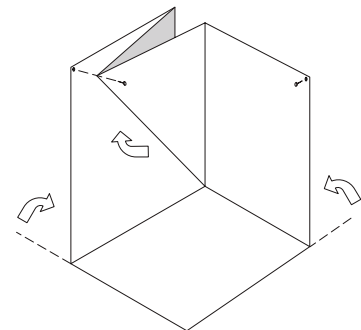
**Exterior Sliding Door
with Deck**



Foundation Sill Plate
Option 1



Outside Corner



Inside Corner

www.graceathome.com
www.graceconstruction.com

For technical assistance call toll free at 866-333-3SBM (3726)

Vycor, Grace Ice & Water Shield, Perm-A-Barrier and Ripcord are registered trademarks of W. R. Grace & Co.–Conn. DensGlass Gold is a registered trademark of Georgia-Pacific Corporation.

We hope the information here will be helpful. It is based on data and knowledge considered to be true and accurate and is offered for the users' consideration, investigation and verification, but we do not warrant the results to be obtained. Please read all statements, recommendations or suggestions in conjunction with our conditions of sale, which apply to all goods supplied by us. No statement, recommendation or suggestion is intended for any use which would infringe any patent or copyright. W. R. Grace & Co.–Conn., 62 Whittemore Avenue, Cambridge, MA 02140. In Canada, Grace Canada, Inc., 294 Clements Road, West, Ajax, Ontario, Canada L1S 3C6.

This product may be covered by patents or patents pending.
TP-083L Printed in U.S.A. 3/07

Copyright 2007. W. R. Grace & Co.–Conn.
FA/LI/1M

GRACE