

Outperforms Granular Underlayments in Critical Detail Areas



GRACE Roof Detail Membrane

Protection for Leak Prone Roof Detail Areas

**Skylight Flashing –
Keep leaks out and let light in.**

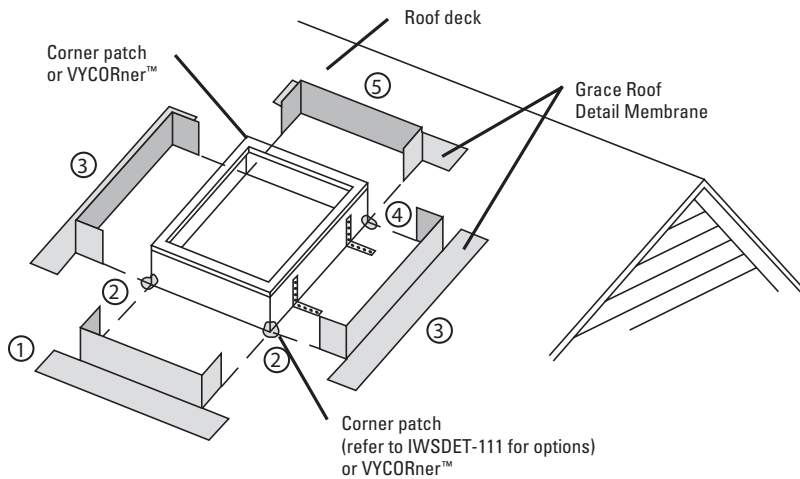


Prevent leaks and call backs with Grace Roof Detail Membrane.

- **Flexible**
- **Sticks Better**
- **Seals Better**
- **Easier to Install with RIPCORD®**
Split Release Paper

For installation instructions see reverse.

Skylight Flashing



NOTE: Final sheet metal flashing and roof covering not shown.

Application Instructions

1. Visit www.graceconstruction.com for the most current details.
2. Refer to product data sheets on web site for further information.
3. RIPCORDER ("Split Release on Demand") can be removed along joint between roof and skylight for ease of installation.
4. Felt should be cut back 3 in. around skylight.
5. Install Grace Roof Detail Membrane in order as shown by numbers.
6. Extend Grace Underlayment from eave to below skylight and from above skylight to ridge.
7. Always install membrane, underlayment, and felt to form water-shedding laps. Lap membrane over felt along sides of skylight.
8. Install skylight, flashing and roof covering as per manufacturers' recommendation.
9. Determine if skylight materials (gasket, flashing, etc.) are compatible with Grace underlayments – refer to Technical Letter 5.

Precautions and Limitations

- Slippery when wet or covered by frost.
- Consistent with good roofing practice, always wear fall protection when working on a roof deck.
- Release liners are slippery. Remove from work area immediately after membrane application.
- Do not leave permanently exposed to sunlight. Cover within 30 days.
- Do not fold over the roof edge unless the edge is protected by a drip edge, gutter or other flashing material.
- Do not install on chamfered edges of wood plank.
- When lapping over granular, allow for 6 in. overlap and apply bead of roofing mastic along the edge of the Grace Roof Detail Membrane.
- Repair holes, fishmouths, tears and damage with a round patch of membrane, extending past the damaged area 150 mm (6 in.) in all directions. If fasteners are removed leaving holes in the membrane, it must be patched. The membrane may not self-seal open fastener penetrations.
- Do not install fasteners through the membrane over unsupported membrane areas of the structural deck, such as over the joints between adjacent structural panels.
- Due to its slight asphaltic odor, do not apply where membrane is exposed to interior living spaces. Refer to product literature for more complete information.
- Not compatible with EPDM; use Grace Ultra for tie-ins (refer to Technical Letter 5).
- Not compatible with polysulfides, flexible PVC, uncured neoprene or wood substrates with high concentrations of resin (pitch). Grace Roof Detail Membrane is generally compatible with window and skylight flanges. For more information, refer to Technical Letter 5.
- Do not use in the desert southwest.
- Do not use under copper, Cor-Ten® or zinc metal roofs in high altitudes.
- A minimum of 36 in. is recommended at the eaves, where ice dams may form. Grace recommends Grace Ice & Water Shield for this application. Grace Roof Detail Membrane may be used in conjunction with a self-adhered underlayment to extend ice dam protection at the eaves.

We hope the information here will be helpful. It is based on data and knowledge considered to be true and accurate and is offered for the user's consideration, investigation and verification, but we do not warrant the results to be obtained. Please read all statements, recommendations or suggestions in conjunction with our conditions of sale which apply to all goods supplied by us. No statement, recommendation or suggestion is intended for any use which would infringe any patent or copyright.

Grace Ice & Water Shield, Roof It Right and RIPCORDER are registered trademarks of W. R. Grace & Co.-Conn. Cor-Ten® is a registered trademark of USX Corporation.

Grace Construction Products, W. R. Grace & Co.-Conn., 62 Whittemore Ave., Cambridge, MA 02140

For customer service call 866-333-3SBM (3726).

Visit our web site at www.graceconstruction.com or www.graceathome.com

This product may be covered by patents or patents pending.
Copyright 2005. W. R. Grace & Co.-Conn.

GIWS-199 Printed in U.S.A. 8/05 DA/LI/500